



ALAR-XP Large Aperture High-Torque Rotary Stage

HARDWARE MANUAL

Revision 2.00



GLOBAL TECHNICAL SUPPORT

Go to the [Global Technical Support Portal](#) for information and support about your Aerotech, Inc. products. The website supplies software, product manuals, Help files, training schedules, and PC-to-PC remote technical support. If necessary, you can complete Product Return (RMA) forms and get information about repairs and spare or replacement parts. To get help immediately, contact a service office or your sales representative. Include your customer order number in your email or have it available before you call.

This manual contains proprietary information and may not be reproduced, disclosed, or used in whole or in part without the express written permission of Aerotech, Inc. Product names mentioned herein are used for identification purposes only and may be trademarks of their respective companies.

Copyright © 2007-2022, Aerotech, Inc., All rights reserved.



Table of Contents

ALAR-XP Large Aperture High-Torque Rotary Stage	1
Table of Contents	3
List of Figures	4
List of Tables	5
EU Declaration of Incorporation	6
Safety Procedures and Warnings	7
Installation and Operation	8
Electrical Warnings	9
Motor-Related Warnings	10
Pinch Points	11
Handling and Storage	12
Chapter 1: Overview	15
1.1. Environmental Specifications	16
1.2. Accuracy and Temperature Effects	16
1.3. Basic Specifications	17
1.4. Vacuum Operation	18
Chapter 2: Installation	19
2.1. Dimensions	19
2.2. Securing the Stage to the Mounting Surface	21
2.3. Attaching the Payload or Fixturing to the Stage	23
Chapter 3: Electrical Installation	25
3.1. Motor and Feedback Connectors	26
3.2. Motor and Feedback Wiring	30
3.3. Motor and Feedback Specifications	32
3.4. Limits, Marker, and Machine Direction	35
3.5. Motor and Feedback Phasing	36
Chapter 4: Maintenance	39
4.1. Service and Inspection Schedule	39
4.2. Cleaning and Lubrication	40
4.3. Travel Adjustment	41
4.3.1. Electrical Limit Adjustments	41
4.3.2. Mechanical Hard Stop Adjustments	42
4.4. Troubleshooting	43
Appendix A: Warranty and Field Service	45
Appendix B: Revision History	47
Index	49

List of Figures

Figure 1-1: Lifting Bolts	13
Figure 2-1: ALAR250XP Dimensions	19
Figure 2-2: ALAR325XP Dimensions	20
Figure 2-3: ALAR Stage Mounting Holes	22
Figure 3-1: Electrical Connections	26
Figure 3-2: ALAR Motor and Feedback Wiring (Incremental Encoder Options)	30
Figure 3-3: ALAR Motor and Feedback Wiring (Absolute Encoder Option)	31
Figure 3-4: Machine Direction	35
Figure 3-5: Hall Phasing Diagram	36
Figure 3-6: Encoder Phasing Reference Diagram (Standard/Square Wave)	37
Figure 3-7: Encoder Phasing Reference Diagram (Analog/Sine Wave)	37
Figure 4-1: Limit Flag Adjustment	42

List of Tables

Table 1-1: Model Numbers and Ordering Options	15
Table 1-2: Environmental Specifications	16
Table 1-3: ALAR Series Specifications	17
Table 2-1: Stage Mounting Surface Flatness Requirement	21
Table 2-2: Stage to Mounting Surface Hardware	21
Table 2-3: Mounting Interface Flatness Requirement	23
Table 3-1: High Power D-Style Motor Connector Pinout	27
Table 3-2: Mating Connector Part Numbers for the Motor Connector	27
Table 3-3: Feedback Connector Pinout (Incremental Encoder Options)	28
Table 3-4: Mating Connector Part Numbers for the Feedback Connector	28
Table 3-5: Feedback Connector Pinout (Absolute Encoder Option)	29
Table 3-6: Mating Connector Part Numbers for the Feedback Connector	29
Table 3-7: Hall-Effect Sensor Specifications	32
Table 3-8: Thermistor Specifications	32
Table 3-9: Encoder Specifications	32
Table 3-10: Encoder Resolution	32
Table 3-11: Maximum Speed Per Encoder Option	32
Table 3-12: Limit Switch Specifications	33
Table 3-13: ALAR-XP Motor Specifications	34
Table 4-1: Troubleshooting	43

EU Declaration of Incorporation

Manufacturer Aerotech, Inc.
 101 Zeta Drive
 Pittsburgh, PA 15238-2811
 USA

herewith declares that the product:

ALAR Rotary Stage

is intended to be incorporated into machinery to constitute machinery covered by the Directive 2006/42/EC as amended;

and that the following harmonized European standards have been applied:

EN ISO 12100:2010
 Safety of machinery - Basic concepts, general principles for design
 EN 60204-1:2010
 Safety of machinery - Electrical equipment of machines - Part 1: General requirements


and further more declares that

it is not allowed to put the equipment into service until the machinery into which it is to be incorporated or of which it is to be a component has been found and declared to be in conformity with the provisions of the Directive 2006/42/EC and with national implementing legislation, for example, as a whole, including the equipment referred to in this Declaration.


This is to certify that the aforementioned product is in accordance with the applicable requirements of the following directive(s):

2011/65/EU	RoHS 2 Directive
EU 2015/863	Amendment RoHS 3 Directive

Authorized Representative

 / Simon Smith, European Director
 Aerotech Ltd
 The Old Brick Kiln, Ramsdell, Tadley
 Hampshire RG26 5PR
 UK

Engineer Verifying Compliance

 / Alex Weibel
 Aerotech, Inc.
 101 Zeta Drive
 Pittsburgh, PA 15238-2811
 USA
 7/18/2022

Date



Safety Procedures and Warnings

IMPORTANT: This manual tells you how to carefully and correctly use and operate the stage.



- Read all parts of this manual before you install or operate the stage or before you do maintenance to your system.
- To prevent injury to you and damage to the equipment, obey the precautions in this manual.
- All specifications and illustrations are for reference only and were complete and accurate as of the release of this manual. To find the newest information about this product, refer to www.aerotech.com.

If you do not understand the information in this manual, contact Aerotech Global Technical Support.

IMPORTANT: This product has been designed for light industrial manufacturing or laboratory environments. If the product is used in a manner not specified by the manufacturer:



- The protection provided by the equipment could be impaired.
- The life expectancy of the product could be decreased.

Safety notes and symbols are placed throughout this manual to warn you of the potential risks at the moment of the safety note or if you fail to obey the safety note.



Shock/Electrocution Hazard



Pinch, Shear, or Crush Hazard



General/Conditional Awareness



Rotational Machinery Hazard



Hot Surface Hazard



Pinch/Entanglement Hazard



Magnetic Field Hazard



Trip Hazard



Heavy, Bulky Lifting Hazard



Appropriate Equipment Required



Pressure/Explosive Atmosphere Hazard



Electrostatic Discharge Hazard

A blue circle symbol is an action or tip that you should obey. Some examples include:



General tip



Read the manual/section



Wear personal protective equipment (PPE): Safety Glasses



If applicable, do not lift unassisted



Wear personal protective equipment (PPE): Gloves



Wear personal protective equipment (PPE): Hearing Protection

Installation and Operation

To decrease the risk of damage to the equipment, you must obey the precautions that follow.



DANGER: General Hazard Warning!

This product can produce high forces and move at velocities that could cause injury. The user is responsible for its safe operation. The following general equation is provided to assist with risk assessments in regards to contact and pinch points:

$$Pressure_{Max} \left[\frac{N}{mm^2} \right] = \frac{Force_{Peak} [N]}{Area_{Contact} [mm^2]}$$



WARNING: General Hazard Warning!

- Only trained operators should operate this equipment.
- All service and maintenance must be done by approved personnel.
- Use this product only in environments and operating conditions that are approved in this manual.
- Never install or operate equipment that appears to be damaged.
- Make sure that the product is securely mounted before you operate it.
- Use care when you move the ALAR or you could negatively affect the performance of it.



WARNING: Trip Hazard!

Route, house, and secure all cables, duct work, air, or water lines. Failure to do so could introduce trip hazards around the system that could result in physical injury or could damage the equipment.

Electrical Warnings

To decrease the risk of electrical shock, injury, death, and damage to the equipment, obey the precautions that follow.



DANGER: Electrical Shock Hazard!

- Stage motor phase voltage levels could be hazardous live.
- Personnel are protected from hazardous voltages unless electrical interconnections, protective bonding (safety ground), or motor/stage enclosures are compromised.
- Do not connect or disconnect stage/motor interconnections while connected to a live electrical power source.
- Before you set up or do maintenance, disconnect electrical power.
- It is the responsibility of the End User/System Integrator to make sure that stages are properly connected and grounded per Engineering Standards and applicable safety requirements.
- It is the responsibility of the End User/System Integrator to configure the system drive or controller within the Aerotech motor/stage electrical and mechanical specifications.

Motor-Related Warnings

Aerotech motors are capable of producing high forces and velocities. Obey all warnings and all applicable codes and standards when you use or operate a stage or system that incorporates Aerotech motors.



DANGER: Mechanical Hazard!

Personnel must be made aware of the mechanical hazards during set up or when you do service to the stage.



- Unintentional manual movement into the stage "end-of-travel" stops, could damage the stage or undo precision alignments.
- Stage movement could create pinch points, entanglement hazards, or rotational mechanical hazards.



DANGER: Hot Surface Hazard!

- The stage/motor frame temperature could exceed 70°C in some applications.
- Do not touch the stage/motor frame while it is in operation.
- Wait until the stage/motor has cooled before you touch it.



DANGER: Risk of Explosive Atmosphere!

- Standard Aerotech stage/motors are not rated for applications with explosive atmospheres such as air-borne dust or combustible vapors.
- Do not operate stage/motors outside of Aerotech environmental specifications.



DANGER: Magnetic Field Hazard!

Aerotech stage/motors contain magnets which can present a Magnetic Field Hazard.

- Do not disassemble a stage motor under any circumstances.
- Strong magnetic fields could interfere with external/internal medical devices.
- Strong magnetic fields could present mechanical hazards such as pinch points.

Pinch Points

A pinch point is a mechanical hazard that can occur when there are exposed parts of the stage or system that can move. For example, the travel of a stage tabletop could expose the user to a pinch point between the tabletop and the stage housing. The images that follow will show you typical external and internal pinch point locations.

DANGER: Mechanical Hazard!



- System travel can cause crush, shear, or pinch injuries.
- Only trained operators should operate this equipment.
- Do not put yourself in the travel path of machinery.
- Restrict access to all motor and stage parts
 - when the system moves under power (during normal operation, for example).
 - when the system is moved manually (during the installation process or when you do maintenance, for example).
- Motors are capable of very high speeds and acceleration rates.

Figure 1: Typical Pinch Point Locations



DANGER: Rotating Machinery Hazard!
Keep hands and loose objects away from the stage while it is in motion.



Handling and Storage



IMPORTANT: It is the responsibility of the customer to safely and carefully lift and move the stage.

- Be careful when you move or transport the stage.
- Retain the shipping materials for future use.
- Transport or store the stage in its protective packaging.



WARNING: Electrostatic Discharge (ESD) Sensitive Components!

Wear an ESD wrist strap when you handle, install, or do service to the system assembly. You could damage the power supply or drives if you fail to observe the correct ESD practices.

Inspect the shipping container for any evidence of shipping damage. If any damage exists, notify the shipping carrier immediately.

Remove the packing list from the shipping container. Make sure that all the items specified on the packing list are contained within the package.

The documentation for the stage is on the included installation device. The documents include manuals, interconnection drawings, and other documentation pertaining to the system. Save this information for future reference.

Each stage has a label listing the system part number and serial number. These numbers contain information necessary for maintenance or system hardware and software updates. Locate this label and record the information for later reference.

Unpacking and Handling

It is the responsibility of the customer to safely and carefully lift and move the stage.



IMPORTANT: All electronic equipment and instrumentation is wrapped in antistatic material and packaged with desiccant. Ensure that the antistatic material is not damaged during unpacking.



DANGER: Lifting Hazard! Use care when you move the ALAR or you could negatively affect the performance of it.

- Use the correct lifting techniques, mechanical assistance, or additional help to lift or move this product.
- Do not use the cables or the connectors to lift or move this product.
- Make sure that all moving parts are secure before you move the stage. Unsecured moving parts could shift and cause injury or damage to the equipment.
- If the stage is heavy, a single person lift could cause injury. Use assistance when you lift or move it.
 - Refer to [Section 2.1. Dimensions](#) for dimensions
 - Refer to [Section 1.3. Basic Specifications](#) for weight specifications.

Carefully remove the stage from its protective shipping container.

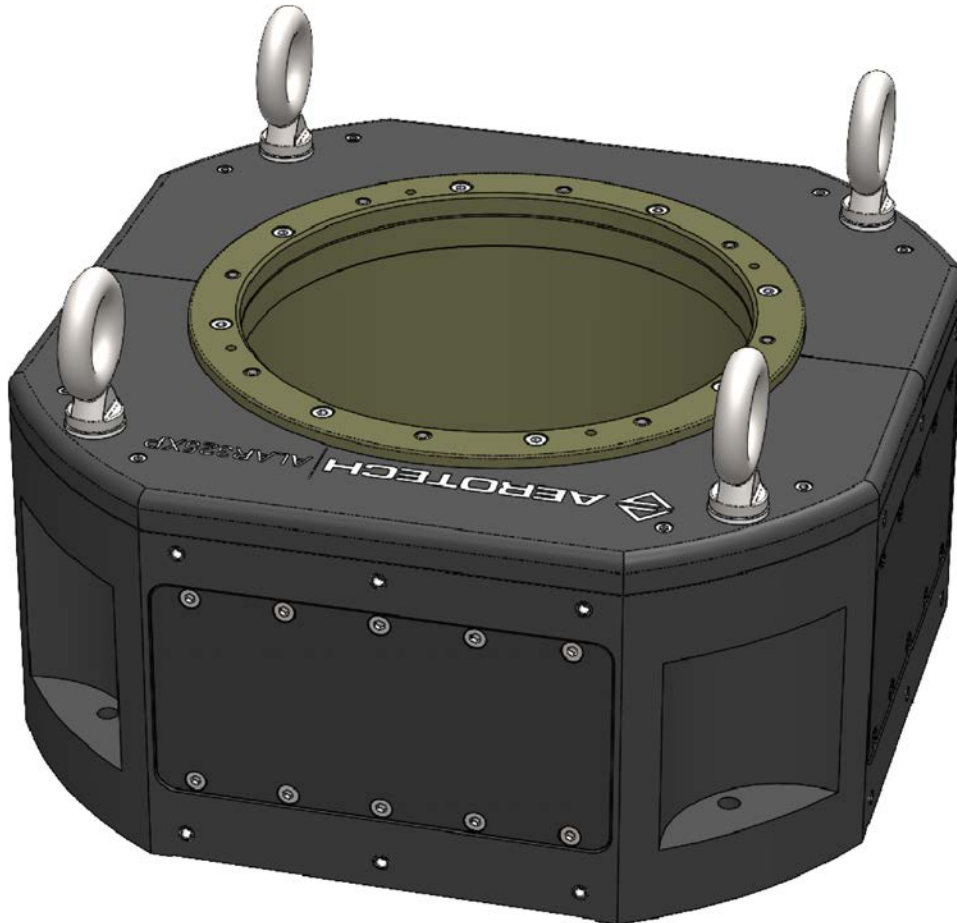
- Lift this product only by the base.
- Use lifting hardware if it has been provided (refer to [Figure 1-1](#)).
- For multi-axis assemblies, always lift the system by the lower axis.
- Use a cart, dolly, or similar device to move the stage to a new location.

Gently set the stage on a smooth, flat, and clean surface. Use compressed nitrogen or clean, dry, oil-free air to remove any dust or debris that has collected during shipping.

Before you operate the stage, let it stabilize at room temperature for at least 12 hours. This will ensure that all of the alignments, preloads, and tolerances are the same as they were when they were tested at Aerotech.

Each stage has a label listing the system part number and serial number. These numbers contain information necessary for maintenance or system hardware and software updates. Locate this label and record the information for later reference.

Figure 1-1: Lifting Bolts



Storage

Store the stage in the original shipping container. If the original packaging included ESD protective packaging, make sure to store the stage in it. The storage location must be dry, free of dust, free of vibrations, and flat.

Refer to [Section 1.1. Environmental Specifications](#)

This page intentionally left blank.

Chapter 1: Overview

Table 1-1: Model Numbers and Ordering Options

ALAR Series Mechanical-Bearing Direct-Drive Rotary Stage	
ALAR250XP	250 mm clear aperture
ALAR325XP	325 mm clear aperture
Motor (Required)	
-M1	Standard motor
-M2	High power motor
Travel (Required)	
-	Continuous travel
-TR010	Limited travel, ± 5 degrees
-TR020	Limited travel, ± 10 degrees
-TR030	Limited travel, ± 15 degrees
-TR060	Limited travel, ± 30 degrees
-TR090	Limited travel, ± 45 degrees
-TR120	Limited travel, ± 60 degrees
-TR180	Limited travel, ± 90 degrees
-TR240	Limited travel, ± 120 degrees
-TR300	Limited travel, ± 150 degrees
-TR340	Limited travel, ± 170 degrees
Feedback (Required)	
-E1	Incremental encoder, 1 Vpp sine
-E6	Incremental encoder, x200 interpolation
-E7	Absolute encoder

1.1. Environmental Specifications



WARNING: General Hazard Warning! Do not expose this product to environments or conditions outside of the listed specifications. You could damage the equipment if you exceed the environmental or operating specifications.



DANGER: Risk of Explosive Atmosphere!

- Standard Aerotech stage/motors are not rated for applications with explosive atmospheres such as air-born dust or combustible vapors.
- Do not operate stage/motors outside of Aerotech environmental specifications.

Table 1-2: Environmental Specifications

Ambient Temperature	Operating: 10° to 35° C (50° to 95° F)
	The optimal operating temperature is 20° C ±2° C (68° F ±4° F). If at any time the operating temperature deviates from 20° C degradation in performance could occur.
Humidity	Storage: 0° to 40° C (32° to 104° F) in original shipping packaging
	Operating: 20% to 60% RH Storage: 10% to 70% RH, non-condensing in original packaging. The stage should be packaged with desiccant if it is to be stored for an extended time.
Altitude	Operating: 0 m to 2,000 m (0 ft to 6,562 ft) above sea level Contact Aerotech if your specific application involves use above 2,000 m or below sea level.
Vibration	Use the system in a low vibration environment. Floor or acoustical vibration can affect system performance. Contact Aerotech for information regarding your specific application.
Protection Rating	These stages are not suited for dusty or wet environments. This equates to an ingress protection rating of IP00.
Use	Indoor use only

1.2. Accuracy and Temperature Effects

Aerotech products are designed for and built in a 20°C (68°F) environment. Temperature changes could cause a decrease in performance or permanent damage to the stage. At a minimum, the environmental temperature must be controlled to within 0.25°C per 24 hours to ensure the stage specifications are repeatable over an extended period of time. The severity of temperature effects on all specifications depends on many different environmental conditions, which include how the stage is mounted. Contact the factory for more details.

1.3. Basic Specifications

Resolution is dependent on encoder resolution and controller interpolation.

Table 1-3: ALAR Series Specifications

	ALAR250XP-M1	ALAR250XP-M2	ALAR325XP-M1	ALAR325XP-M2
Travel	Continuous (Limited Travel options up to 340° max)			
Aperture	250 mm		325 mm	
Motor	Brushless Slotless			
Continuous Current	11.2 A _{pk}	14.9 A _{pk}	11.3 A _{pk}	15.1 A _{pk}
	7.9 A _{rms}	10.6 A _{rms}	8.0 A _{rms}	10.7 A _{rms}
Peak Current, Stall	95.7 A _{pk}	127.6 A _{pk}	87.8 A _{pk}	117.1 A _{pk}
	67.7 A _{rms}	90.2 A _{rms}	62.1 A _{rms}	82.8 A _{rms}
Bus Voltage	up to 340 VDC			
Resolution (Minimum Incremental Motion) ⁽¹⁾	0.05 μrad (0.01 arc sec)		0.04 μrad (0.009 arc sec)	
Incremental Encoder Line Count	64,800 lines/rev		76,800 lines/rev	
Accuracy ⁽²⁾	±9.7 μrad (±2 arc sec)			
Bidirectional Repeatability	±2.4 μrad (±0.5 arc sec)			
Tilt-Error Motion	9.7 μrad (2.0 arc sec)			
Maximum Speed ⁽³⁾	180 rpm		100 rpm	
Maximum Acceleration	500 rad/s ²	700 rad/s ²	400 rad/s ²	550 rad/s ²
Maximum Torque	548.6 N·m	731.5 N·m	833.0 N·m	1110.7 N·m
Continuous Torque	64.2 N·m	85.6 N·m	107.4 N·m	143.1 N·m
Axial Load	4950 N		5825 N	
Radial Load	5200 N		6650 N	
Moment Load	1825 N·m		2650 N·m	
Shaft Inertia	0.89 kg·m ²		1.71 kg·m ²	
Shaft Inertia with Limits	0.96 kg·m ²		1.82 kg·m ²	
Stage Mass	100 kg	104 kg	125 kg	130 kg
Stage Mass with Limits	104 kg	108 kg	129 kg	134 kg
(1) Resolution assumes -E1 encoder with 2000X controller multiplication.				
(2) Certified with each stage. Requires an Aerotech controller.				
(3) Maximum speed assumes a bus voltage of 320 VDC.				

1.4. Vacuum Operation

Vacuum option preparations are available as special orders. Contact Aerotech for more information.

There are two vacuum preparation options:

- Low Vacuum (for use in atmospheric pressures to 10^{-3} Torr)
- High Vacuum (preparation for environments from 10^{-3} to 10^{-6} Torr).

Special preparations include:

- Parts are lubricated with vacuum-compatible lubricants.
- Materials, fasteners, and coatings are selected to be compatible with the specified level of vacuum.
- High-vacuum systems are designed to eliminate trapped volumes.
- Prior to assembly, stage parts are thoroughly cleaned in a clean environment.
- The stage is packaged in a special polyethylene bag.

Vacuum Guidelines

To ensure that the stage will continue to perform well in the vacuum environment, use the guidelines that follow (in addition to standard handling, installation, and lubrication guidelines outlined in this manual).

1. Do not remove the stage from its sealed bag until it is ready to use.
2. Always handle the stage in a clean environment and use powder-free polyethylene gloves to prevent any contaminants from adhering to the surface of the stage.
3. During installation, use cleaned, vented, stainless steel fasteners to secure the stage.
4. Reduced air pressure eliminates significant convective heat transfer. This, coupled with the viscous vacuum-compatible lubricants, could result in excessive motor operating temperatures. Because of this, consider all continuous torque ratings to be **40 to 60% lower** than the value specified for operation in normal atmospheric environment. Reduce motor usage accordingly.
5. We recommend that you use a small quantity of **Braycote® 602EF** grease or a compatible substitute of equal quality lubricant in vacuum applications.
6. To reduce outgassing during the initial pump-down to vacuum pressure, Aerotech recommends that you bake out vacuum systems when you first install them into the vacuum chamber. Bake the vacuum components at 60 °C for 24 to 48 hours to desorb water vapor from surfaces and degas polymers (such as cable insulation).

Chapter 2: Installation



The stage installation must be in accordance with the instructions provided by this manual and any accompanying documentation. Failure to follow these instructions could result in injury or damage to the equipment.

2.1. Dimensions

Figure 2-1: ALAR250XP Dimensions

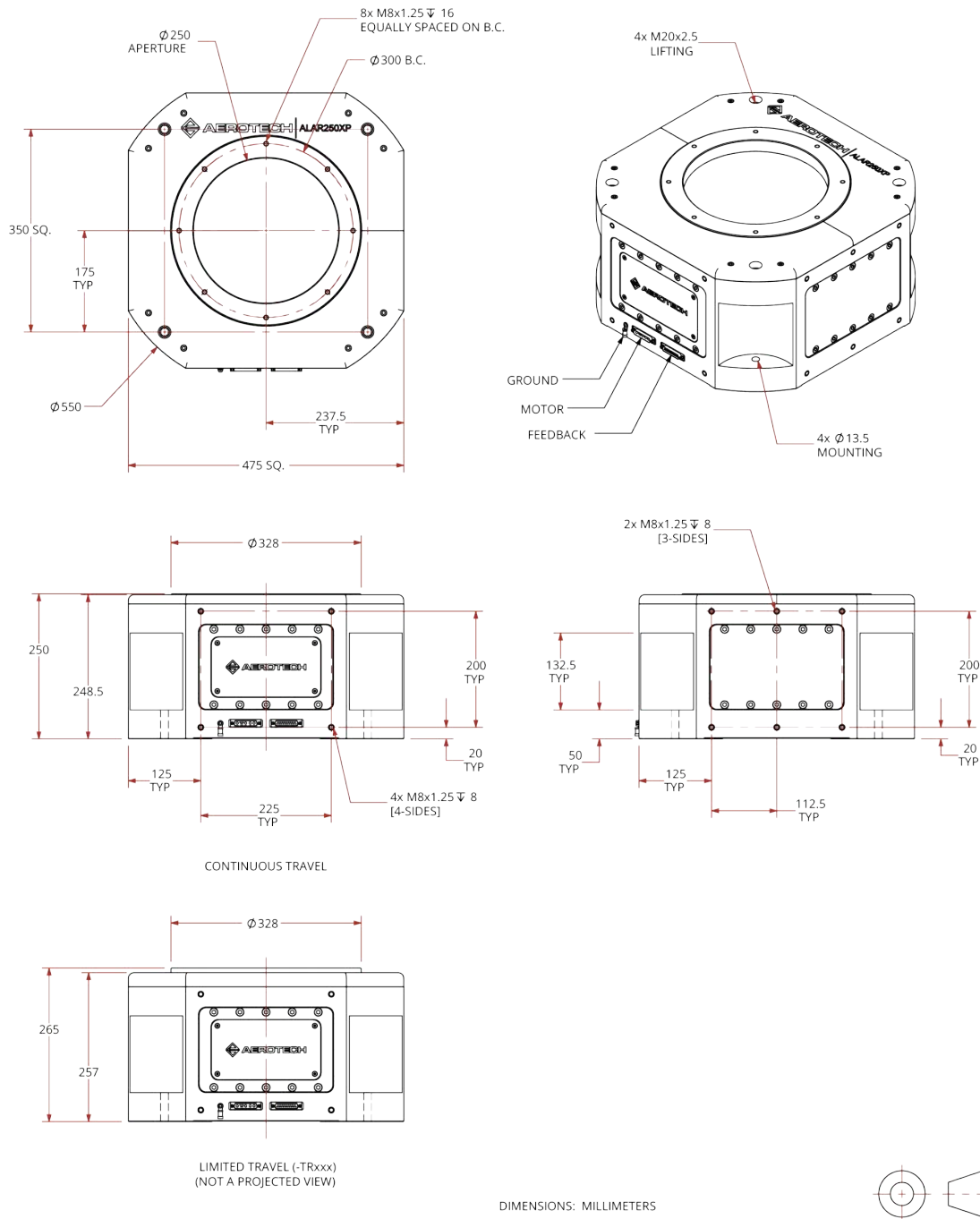
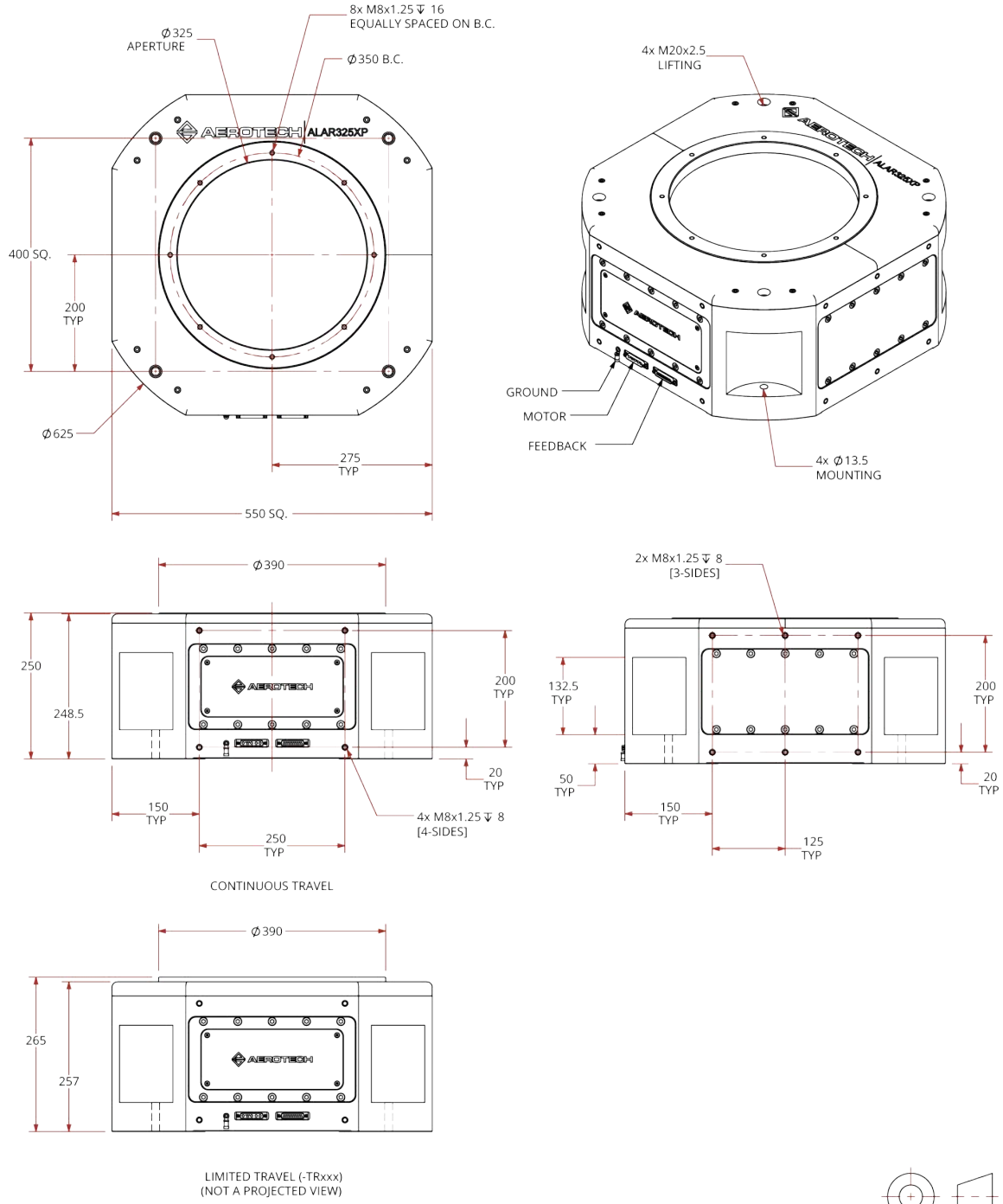
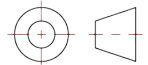


Figure 2-2: ALAR325XP Dimensions



LIMITED TRAVEL (-TRxxx)
(NOT A PROJECTED VIEW)

DIMENSIONS: MILLIMETERS



2.2. Securing the Stage to the Mounting Surface



DANGER: Mechanical Hazard!

Personnel must be made aware of the mechanical hazards during set up or when you do service to the stage.

- Do not manually move the stage if it is connected to a power source.
- The stage must be mounted securely. Improper mounting can result in injury and damage to the equipment.
- When you move the tabletop manually to do maintenance, this could expose the operator to pinch points. Refer to [Pinch Points](#) on [Page 11](#).

The mounting surface must be flat and have adequate stiffness to achieve the maximum performance from the stage. When it is mounted to a non-flat surface, the stage can be distorted while the mounting screws are tightened. This distortion will decrease overall accuracy. Adjustments to the mounting surface must be done before the stage is secured.

Inspect the mounting surface for dirt or unwanted residue and clean if necessary. Use precision flatstones on the mounting surface to remove any burrs or high spots. Clean the mounting surface with a lint-free cloth and acetone or isopropyl alcohol and allow the cleaning solvent to completely dry. Gently place the stage on the mounting surface.



IMPORTANT: The stage is precision machined and verified for flatness at the factory.

- Do not machine the stage housing. If you must machine a surface to achieve a required flatness, machine the mounting surface.
- Keep the use of shims to a minimum when you mount the stage to the mounting surface. The use of shims could reduce the rigidity of the system.

Table 2-1: Stage Mounting Surface Flatness Requirement

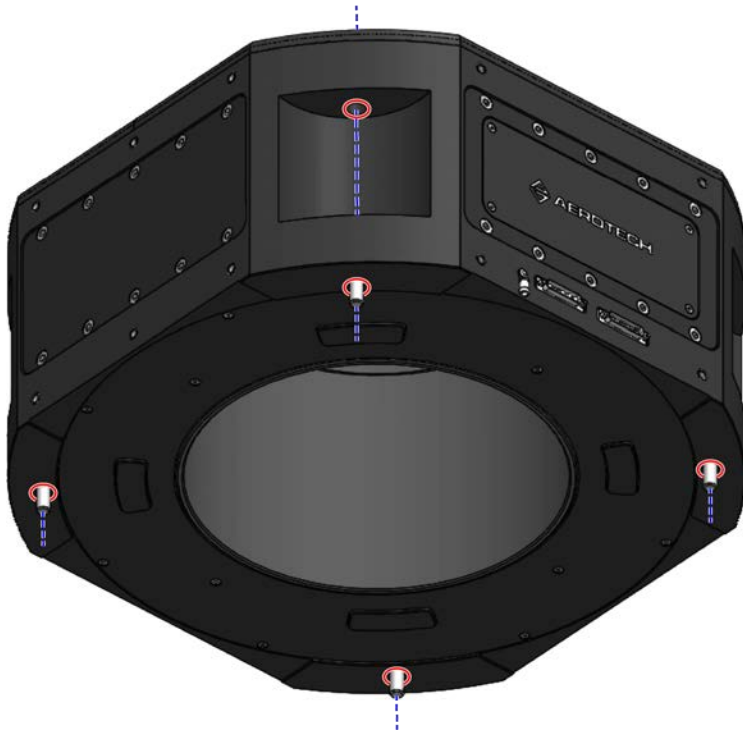
Stage	Flatness Requirement
All Frame Sizes	12 μ m

ALAR series stages have a fixed mounting pattern available to secure the stage to a mounting surface. [Figure 2-3](#) shows the main mounting holes in the base of the stage. Tightening torque values for the mounting hardware are dependent on the properties of the surface to which the stage is being mounted. Values provided in [Table 2-2](#) are typical values and may not be accurate for your mounting surface. Refer to [Section 2.1](#) for specific model mounting locations and dimensions.

Table 2-2: Stage to Mounting Surface Hardware

Mounting Hardware	Typical Screw Torque
M12	57 N·m

Figure 2-3: ALAR Stage Mounting Holes
ALAR-XP Mounting Holes
[QTY. 4, M12]



2.3. Attaching the Payload or Fixturing to the Stage

Inspect the mounting surface for dirt or unwanted residue and clean if necessary. Clean the mounting surface with a lint-free cloth and acetone or isopropyl alcohol and allow the cleaning solvent to completely dry. Gently place the stage on the mounting surface.

Use a representative payload during start-up to prevent accidental damage to the stage and the payload. Proceed with the electrical installation and test the motion control system in accordance with the system documentation. Document all results for future reference. For information on electrical installation refer to [Chapter 3: Electrical Installation](#) and the documentation delivered with the stage.



WARNING: General Hazard Warning!

Be careful when you attach the payload to the stage table.

- Refer to the dimensions in [Section 2.1](#). for maximum allowable thread engagement.



IMPORTANT: If your ALAR was purchased with Aerotech controls, it could have been tuned with a representative payload based on the information provided at the time of order. If you start the ALAR without a payload, the servo gains provided by Aerotech with the shipment may not be appropriate and servo instability can occur. Refer to the controller help file for tuning assistance.

The payload must be flat, rigid, and comparable to the stage in quality to maintain optimum performance.

Table 2-3: Mounting Interface Flatness Requirement

Stage Travel	Flatness Requirement
All Travels	7.5 μm

Applied loads should be symmetrically distributed whenever possible. The payload should be centered on the stage table and the entire stage should be centered on the support structure.



IMPORTANT: Where possible, use 3-point mounting when you attach the payload to the stage.

This page intentionally left blank.

Chapter 3: Electrical Installation

DANGER: Electrical Shock Hazard!



- Stage motor phase voltage levels could be hazardous live.
- Personnel are protected from hazardous voltages unless electrical interconnections, protective bonding (safety ground), or motor/stage enclosures are compromised.
- Do not connect or disconnect stage/motor interconnections while connected to a live electrical power source.
- Before you set up or do maintenance, disconnect electrical power.
- It is the responsibility of the End User/System Integrator to make sure that stages are properly connected and grounded per Engineering Standards and applicable safety requirements.
- It is the responsibility of the End User/System Integrator to configure the system drive or controller within the Aerotech motor/stage electrical and mechanical specifications.

WARNING: General Hazard Warning!



Applications that require access to the ALAR must be restricted to qualified and trained personnel. The system integrator or qualified installer is responsible for determining and meeting all safety and compliance requirements when they integrate the ALAR into a completed system.

Electrical installation requirements will depend on the ordered product options. Installation instructions in this section are for Aerotech products equipped with standard Aerotech motors intended for use with an Aerotech motion control system. Contact Aerotech for further information on products that are otherwise configured.

Aerotech motion control systems are adjusted at the factory for optimum performance. When the ALAR is part of a complete Aerotech motion control system, setup should only require that you connect the stage to the appropriate drive chassis with the cables provided. Labels on the system components should indicate the appropriate connections.

If system level integration was purchased, an electrical drawing that shows the system interconnects has been supplied with the system (separate from this documentation).

The electrical wiring from the motor and encoder are integrated at the factory. Refer to the sections that follow for standard motor wiring and connector pinouts.



IMPORTANT: Refer to the controller documentation to adjust servo gains for optimum velocity and position stability.

3.1. Motor and Feedback Connectors

Stages equipped with standard motors and encoders come from the factory completely wired and assembled.



IMPORTANT: Refer to the other documentation accompanying your Aerotech equipment. Call your Aerotech representative if there are any questions on system configuration.



IMPORTANT: If you are using standard Aerotech motors and cables, motor and encoder connection adjustments are not required.

The protective ground connection of the ALAR provides motor frame ground protection only. Additional grounding and safety precautions are required for applications requiring access to the stage while it is energized. The System Integrator or qualified installer is responsible for determining and meeting all safety and compliance requirements necessary for the integration of this stage into the final application.



DANGER: Electrical Shock Hazard!

- The protective ground connection must be properly installed to minimize the possibility of electric shock.
- The stage controller must provide over-current and over-speed protection. Failure to do so could cause electric shock or damage to the equipment.

Figure 3-1: Electrical Connections



Table 3-1: High Power D-Style Motor Connector Pinout

Pin	Description	Connector
Case	Shield Connection	
A1	Motor Phase A	
A2	Motor Phase B	
A3	Motor Phase C	
1	Reserved	
2	Reserved	
3	Reserved	
4	Reserved	
5	Reserved	
A4	Frame Ground (motor protective ground)	

Table 3-2: Mating Connector Part Numbers for the Motor Connector

Mating Connector	Aerotech P/N	Third Party P/N
Backshell	ECK00656	Amphenol #17E-1726-2
Sockets [QTY. 4]	ECK00659	ITT Cannon #DM53744-6
Connector	ECK00657	ITT Cannon #DBM9W4SA197

The wiring of the feedback connector depends on the selected encoder option: sine wave (analog) or absolute.

Table 3-3: Feedback Connector Pinout (Incremental Encoder Options)

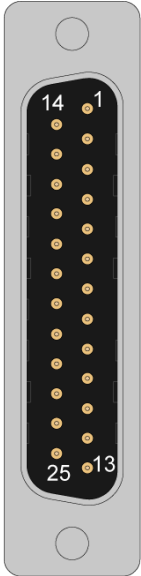
Pin	Description	Connector
Case	Shield Connection	
1	Reserved	
2	Over-Temperature Thermistor Sensor	
3	Encoder 5V Supply Input (internally connected to PIN-16)	
4	Reserved	
5	Hall Effect Sensor (Phase B)	
6	MRK- (Encoder Marker-)	
7	MRK+ (Encoder Marker+)	
8	Reserved	
9	Reserved	
10	Hall Effect Sensor (Phase A)	
11	Hall Effect Sensor (Phase C)	
12	+ /CW LMT (End-of travel limit signal that indicates maximum permitted stage travel in the "machine positive" or "machine clockwise" direction.) [with the Limited Travel option]	
13	Reserved	
14	COS+ (Encoder Cosine+)	
15	COS- (Encoder Cosine-)	
16	Encoder 5V Supply Input (internally connected to PIN-3)	
17	SIN+ (Encoder Sine+)	
18	SIN- (Encoder Sine-)	
19	Reserved	
20	Common ground (internally connected to PIN-21)	
21	Common ground (internally connected to PIN-20)	
22	Reserved	
23	Reserved	
24	- /CCW LMT (End-of travel limit signal that indicates maximum permitted stage travel in the "machine negative" or "machine counter-clockwise" direction.) [with the Limited Travel option]	
25	Reserved	

Table 3-4: Mating Connector Part Numbers for the Feedback Connector

Mating Connector	Aerotech P/N	Third Party P/N
25-Socket D-Connector	ECK00300	FCI DB25S064TLF
Backshell	ECK00656	Amphenol 17E-1726-2

Table 3-5: Feedback Connector Pinout (Absolute Encoder Option)

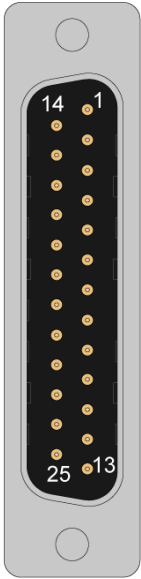
Pin	Description	Connector
Case	Shield Connection	
1	Reserved	
2	Over-Temperature Thermistor Sensor	
3	Encoder 5V Supply Input (internally connected to PIN-16)	
4	Reserved	
5	Hall Effect Sensor (Phase B)	
6	CLK- (Absolute Encoder Clock-)	
7	CLK+ (Absolute Encoder Clock+)	
8	DATA- (Absolute Encoder Data-)	
9	Reserved	
10	Hall Effect Sensor (Phase A)	
11	Hall Effect Sensor (Phase C)	
12	+ /CW LMT (End-of travel limit signal that indicates maximum permitted stage travel in the “machine positive” or “machine clockwise” direction.) [with the Limited Travel option]	
13	Reserved	
14	Reserved	
15	Reserved	
16	Encoder 5V Supply Input (internally connected to PIN-3)	
17	Reserved	
18	Reserved	
19	DATA+ (Absolute Encoder Data+)	
20	Common ground (internally connected to PIN-21)	
21	Common ground (internally connected to PIN-20)	
22	Reserved	
23	Reserved	
24	- /CCW LMT (End-of travel limit signal that indicates maximum permitted stage travel in the “machine negative” or “machine counter-clockwise” direction.) [with the Limited Travel option]	
25	Reserved	

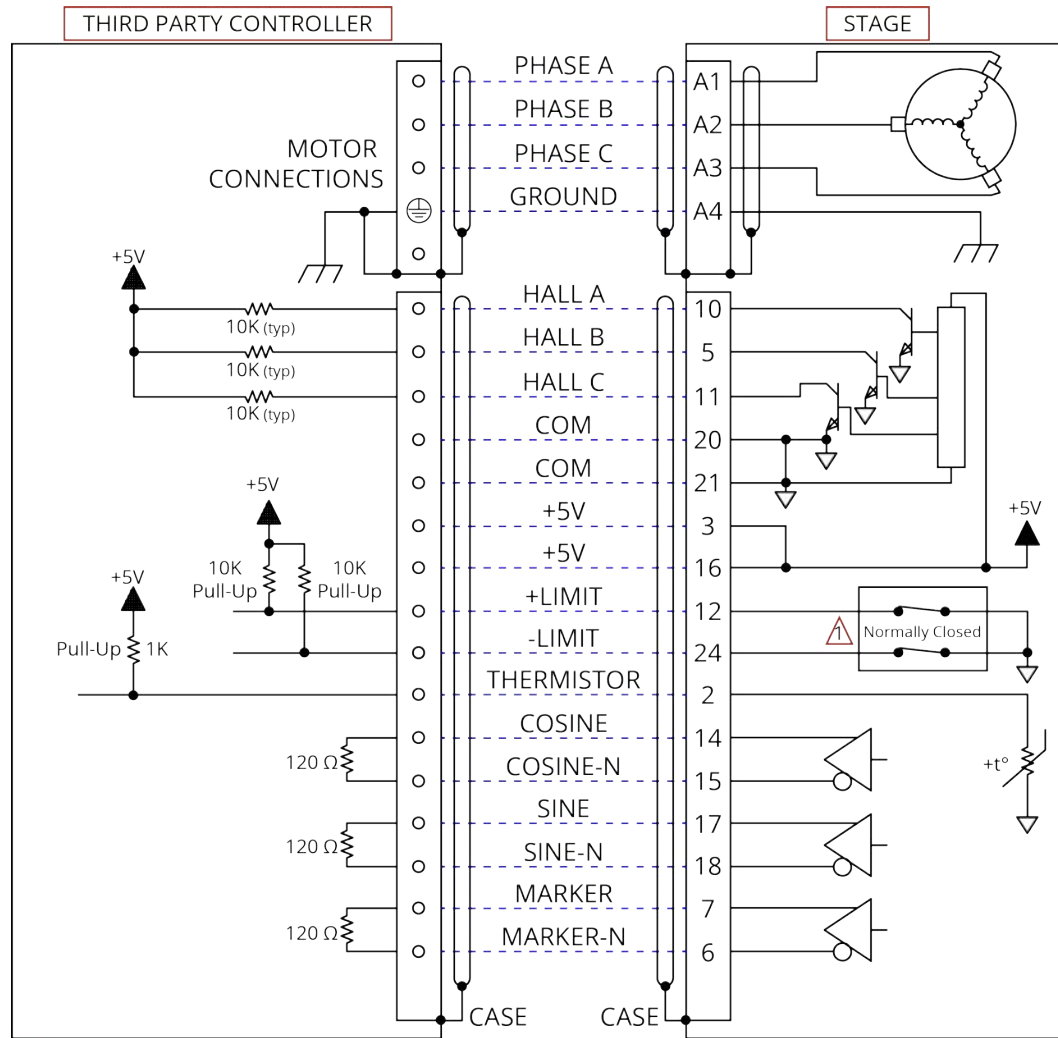
Table 3-6: Mating Connector Part Numbers for the Feedback Connector

Mating Connector	Aerotech P/N	Third Party P/N
25-Socket D-Connector	ECK00300	FCI DB25S064TLF
Backshell	ECK00656	Amphenol 17E-1726-2

3.2. Motor and Feedback Wiring

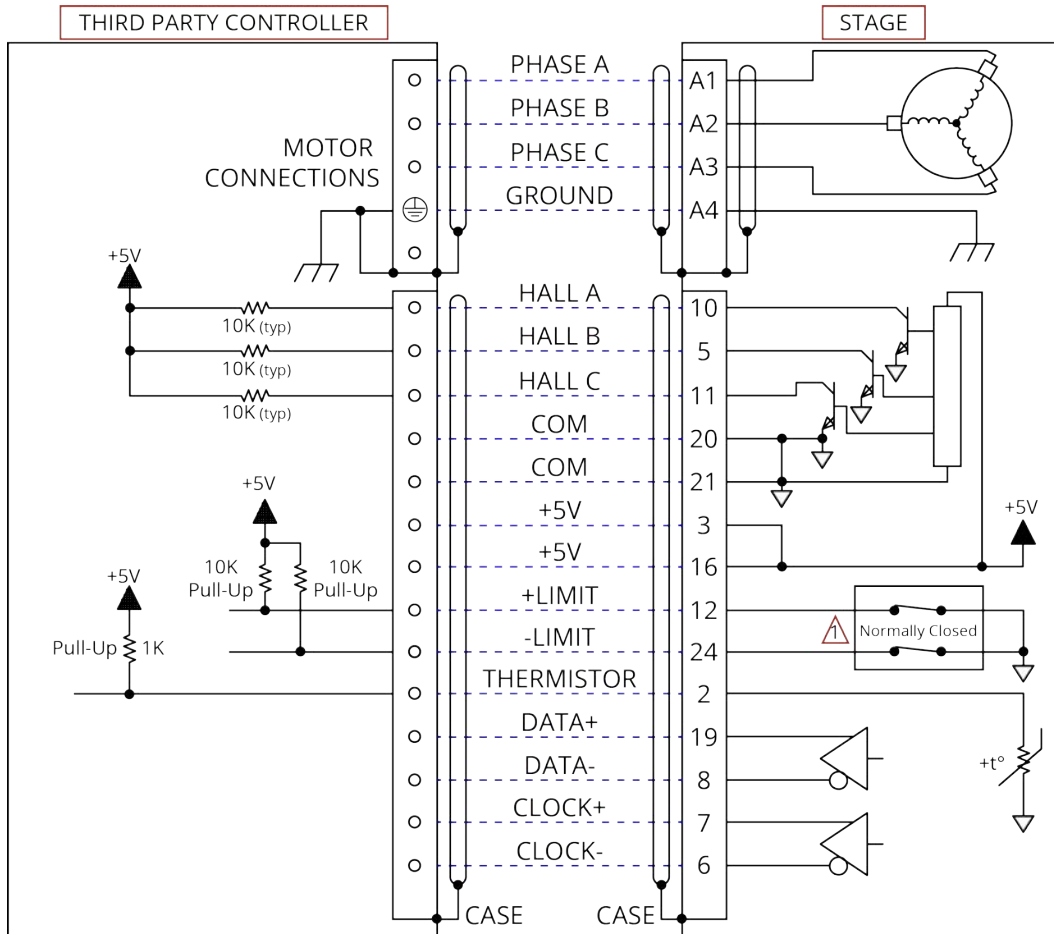
Shielded cables are required for the motor and feedback connections.

Figure 3-2: ALAR Motor and Feedback Wiring (Incremental Encoder Options)



Limited travel models only (continuous travel models do not have this feature).

Figure 3-3: ALAR Motor and Feedback Wiring (Absolute Encoder Option)



Limited travel models only (continuous travel models do not have this feature).

3.3. Motor and Feedback Specifications

Hall Effect, Encoder, and Limit wiring share a common 5V supply connection inside the feedback connector.

Table 3-7: Hall-Effect Sensor Specifications

	Specification
Supply Voltage	5 V \pm 5%
Supply Current	50 mA
Output Type	Open Collector
Output Voltage	24 V max (pull up)
Output Current	5 mA (sinking)

Table 3-8: Thermistor Specifications

	Specification
Polarity	Logic "0" (no fault)
	Logic "1" (over-temperature fault)
Cold Resistance	\sim 100 Ω
Hot Resistance	\sim 10 K
Note: 1K pull-up to +5V recommended.	

Table 3-9: Encoder Specifications

	Specification
Supply Voltage	5 V \pm 5%
Supply Current	250 mA (typical)
Differential Output Signals (-E1)	Sinusoidal Type (Incremental Encoder): Analog: SIN+, SIN-, COS+, COS-, 1V _{pk-pk} ; Digital (RS422): MRK+, MRK- signals.
Differential Output Signals (-E6)	Digital Output (Incremental Encoder): TTL Encoder line-driver signals; RS422/485 compatible
Differential Output Signals (-E7)	Serial Output (Absolute Encoder): BiSS C, 32Bit, RS485/RS422 CLK & DATA Differential Line Driven Signals

Table 3-10: Encoder Resolution

Encoder Option	250XP	325XP
Fundamental Resolution (lines/rev)	64800	76800
-E1 (arcsec / line) ⁽¹⁾	0.003	0.002
-E6 (arcsec / line)	0.1	0.084
-E7 (arcsec / line)	0.0003	0.0003
(1) Resolution assumes 2000X controller multiplication.		

Table 3-11: Maximum Speed Per Encoder Option

Encoder Option	250XP	325XP
-E1	180 rpm	100 rpm
-E6 ⁽¹⁾	134 rpm	100 rpm
-E7	180 rpm	100 rpm
(1) Digital encoder option (-E6) will limit max speed.		

Table 3-12: Limit Switch Specifications

	Specification
Supply Voltage	5 V \pm 5%
Supply Current	25 mA
Output Type	Open Collector
Output Voltage	5 V
Output Current	10 mA (sinking)
Output Polarity (Factory Configured)	Normally Closed (NC) <ul style="list-style-type: none"> • Sinks current to ground (Logic "0") when not in limit • High impedance (Logic "1") when in limit • Requires external pull-up to +5 V (10 kΩ recommended)
<p>Warning: If you set the electrical limits to an angle greater than the mechanical hard stop, the stage will hit the hard stop before it is able to safely stop at the electrical limit.</p> <p>Warning: If you set the electrical limits so that there is too much distance between the electrical limit and the hard stop, you can create a situation where the stage travel could exceed the electrical limit. The stage can then continue into the hard stop or do so the next time it is enabled.</p>	

Table 3-13: ALAR-XP Motor Specifications

Model		ALAR250XP (-M1)	ALAR250XP (-M2)	ALAR325XP (-M1)	ALAR325XP (-M2)
Performance Specifications					
Stall Torque, Continuous ⁽²⁾	N·m	64.20	85.60	107.36	143.14
Peak Torque ⁽³⁾	N·m	548.60	731.46	833.00	1110.67
Electrical Specifications					
Number of Motors (in parallel)	--	3	4	3	4
BEMF Constant (line to line, max)	V/krpm	689.89	689.89	1141.55	1141.55
Continuous Current (no forced cooling) ⁽²⁾	A _{pk}	11.20	14.93	11.32	15.09
	A _{rms}	7.92	10.56	8.00	10.67
Peak Current, Stall ⁽³⁾	A _{pk}	95.72	127.62	87.84	117.11
	A _{rms}	67.68	90.24	62.11	82.81
Torque Constant (sinusoidal drive) ^(4,8)	N·m/A _{pk}	5.73	5.73	9.48	9.48
	N·m/A _{rms}	8.11	8.11	13.41	13.41
Motor Constant ^(2,4)	N·m/√W	3.75	4.33	5.38	6.22
Resistance, 25 C (line to line)	Ω	2.23	1.67	2.95	2.22
Inductance (line to line)	mH	2.11	1.58	2.56	1.92
Thermal Resistance, No Cooling	°C/W	0.34	0.26	0.25	0.19
Maximum Bus Voltage	VDC	340	340	340	340
Mechanical Specifications					
Motor Radius	mm	175	175	213.5	213.5
Magnetic Pole Pitch	deg	10	10	8.182	8.182
Pole per Rev	--	36	36	44	44
<p>1. Performance is dependent upon heat sink configuration, system cooling conditions, and ambient temperature.</p> <p>2. Values shown @ 100°C rise above a 25°C ambient temperature, with motor mounted to the specified aluminum heat sink.</p> <p>3. Peak force assumes correct rms current; consult Aerotech.</p> <p>4. Torque constant and motor constant specified at stall.</p> <p>5. All performance and electrical specifications ±10%.</p> <p>6. Maximum winding temperature is 100 °C (thermistor trips at 100 °C).</p> <p>7. Ambient operating temperature range 0 °C - 25 °C; consult Aerotech for performance in elevated ambient temperatures. Ambient operating temperature range 0 °C - 25 °C; consult Aerotech for performance in elevated ambient temperatures</p> <p>8. All Aerotech amplifiers are rated A_{pk}; use torque constant in N·m/A_{pk} when sizing.</p>					

3.4. Limits, Marker, and Machine Direction

Aerotech stages are configured to have positive and negative "machine" directions. The machine direction defines the phasing of the feedback and motor signals and is dictated by the stage wiring (refer to [Section 3.2.](#)). Programming direction of a stage is set by the controller that is used to move the stage. Programming direction is typically selectable in the controller, while machine direction is hardwired in the stage. [Figure 3-4](#) shows the machine direction of ALAR stages.

Figure 3-4: Machine Direction



3.5. Motor and Feedback Phasing

Motor phase voltage is measured relative to the virtual wye common point.

Figure 3-5: Hall Phasing Diagram

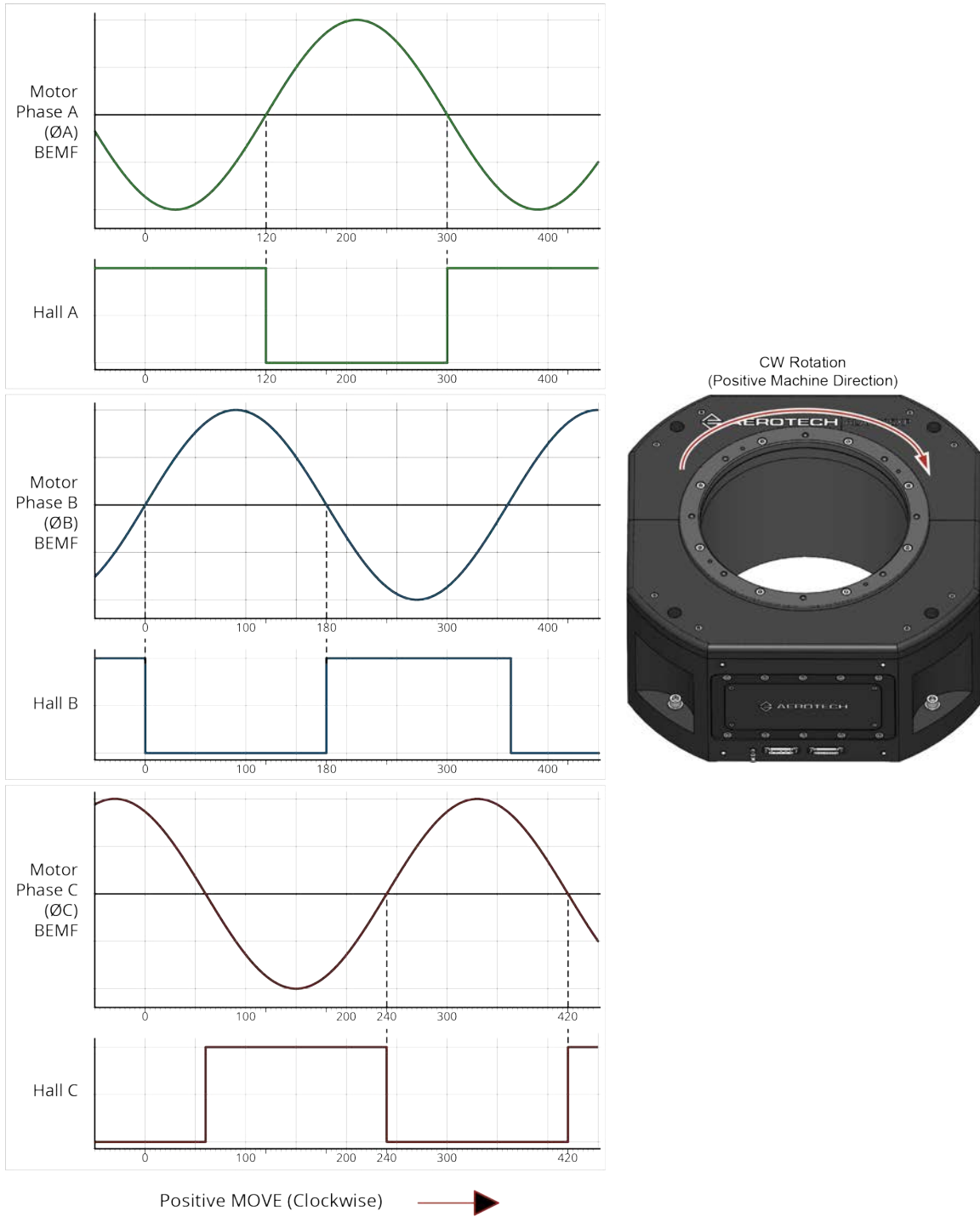


Figure 3-6: Encoder Phasing Reference Diagram (Standard/Square Wave)

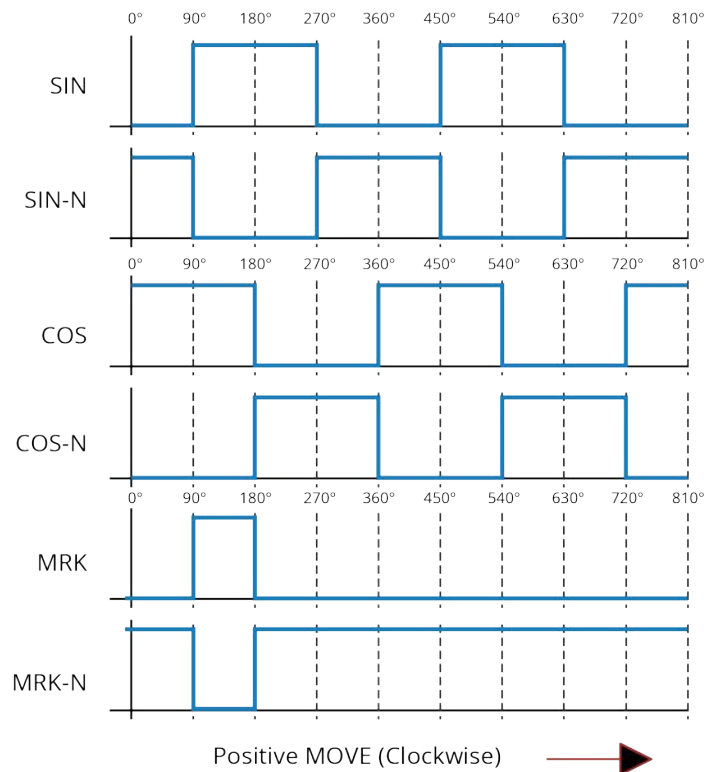
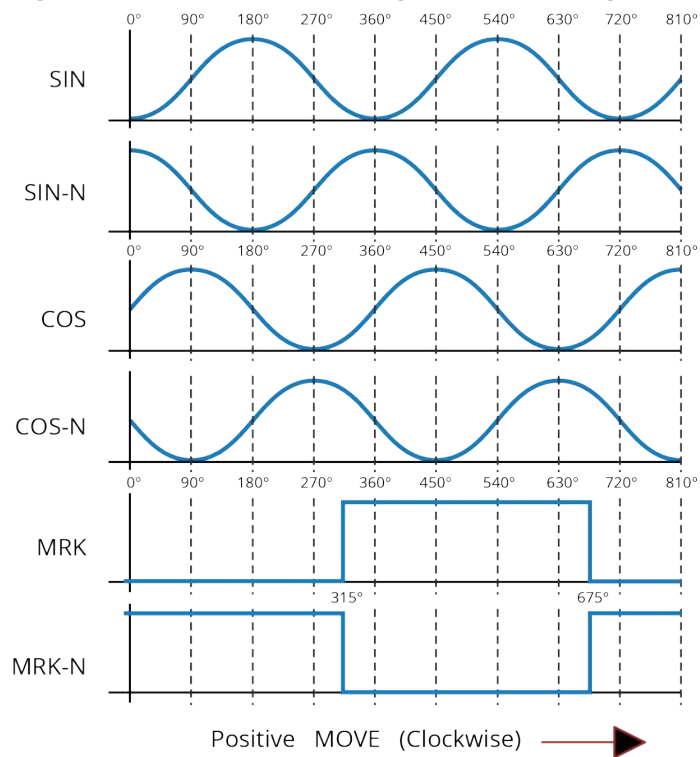


Figure 3-7: Encoder Phasing Reference Diagram (Analog/Sine Wave)



This page intentionally left blank.

Chapter 4: Maintenance



IMPORTANT: Read the [Safety Procedures and Warnings](#) (on [Page 7](#)) before you do maintenance to the stage.



IMPORTANT: Keep the bearing area free of foreign matter and moisture or the performance and life expectancy of the stage will be reduced.

The ALAR series stages are designed to require minimum maintenance.

4.1. Service and Inspection Schedule

Inspect the ALAR at least once per month. The need for a longer or shorter inspection interval will depend on the application and conditions, such as the duty cycle, speed, and environment.

Monthly inspections should include but not be limited to:

- Visually inspect the stage and cables.
- Re-tighten loose connectors.
- Replace or repair damaged cables.
- Clean the ALAR and any components and cables as needed.
- Repair any damage before operating the ALAR.
- Inspect and perform an operational check on all safeguards and protective devices.

4.2. Cleaning and Lubrication



DANGER: Electrical Shock Hazard! Before you do maintenance to the equipment, disconnect the electrical power.



IMPORTANT: Wear appropriate personal protective equipment (PPE) when you use cleaning solvents or lubricants.

In normal operating conditions and with proper cleanliness of the stage, the bearing will not require lubrication or maintenance for the life of the stage. The motor is completely non-contact and requires no lubrication under normal circumstances.

If the application process uses only a small portion of travel for most of the duty cycle, periodically drive the stage through full travel to redistribute the lubrication in the bearings.

When you clean components of the ALAR series stage:

1. Be sure to use a clean, dry, soft, lint-free cloth for cleaning.
2. Before you use a cleaning solvent on any part of the stage, blow away small particles and dust with clean, dry, compressed air.
3. In applications that have multiple stages bolted together to form multi-axis systems, the orthogonality may be lost if the stage tables of the support stages are loosened. Precision aligned stages should not be loosened or disassembled.
4. We recommend that you do not disassemble the stage beyond the instructions given in this manual. Proper assembly and calibration can only be done at the factory. Contact Aerotech for more information.

Cleaning

Use isopropyl alcohol on a lint-free cloth to clean any external metal surface of the ALAR.



WARNING: General Hazard Warning! Make sure that all solvent has completely evaporated before you move the stage.

4.3. Travel Adjustment



DANGER: Electrical Shock Hazard! Before you do maintenance to the equipment, disconnect the electrical power.



WARNING: Mechanical Hazard! Do not adjust the optical limits to an angle greater than the hard stop travel. Doing so could result in damage to the stage and payload and the possibility of injury. Maintain at least $\pm 5^\circ$ of overtravel between the optical limits and the hard stops.

4.3.1. Electrical Limit Adjustments

You can not adjust the electrical limit-to-limit stops in the field unless your stage is equipped with the -TR340 travel option. To adjust the electrical limits on a stage equipped with the -TR340 option, refer to the procedure below.

All other limited travel options have set mounting locations. These travel limit locations can only be changed in the factory. Contact Aerotech for details.



WARNING: Mechanical Hazard! If you set the limit incorrectly, you can cause a crash condition and do damage to the stage, the payload, and personnel. If you are unsure how to adjust the electrical limit, contact Aerotech for support.

- If you set the electrical limits to an angle greater than the mechanical hard stop, the stage will hit the hard stop before it is able to safely stop at the electrical limit.
- If you set the electrical limits so that there is too much distance between the electrical limit and the hard stop, you can create a situation where the stage travel could exceed the electrical limit. The stage can then continue into the hard stop or do so the next time it is enabled.

Stages shipped with the -TR340 option can be retrofitted to achieve a different limit travel. Determine the amount of travel required on a -TR340-equipped stage to relocate the limit flags and install external hard stops.



DANGER: Electrical Shock Hazard! Before you do maintenance to the equipment, disconnect the electrical power.

The procedure that follows describes how to adjust the electrical limits.

1. Disconnect the motor cable from stage for safety purposes.
2. Remove the [QTY. 8] button head cap screws to remove the top covers from the stage.
3. Note the orientation of the limit flags with respect to the stage shaft. Temporarily mark the shaft with tape or a marker to indicate the locations of the limit flags.
4. Remove the socket head cap screws securing the limit flags to the shaft.
5. Move the limits to the new locations on the shaft and secure with the socket head cap screws.
6. Verify travel with the controller by hand, and adjust the limit flag locations as necessary.
7. Reattach the top covers to the stage with the button head cap screws removed in Step 2.
8. Reconnect the motor cable.

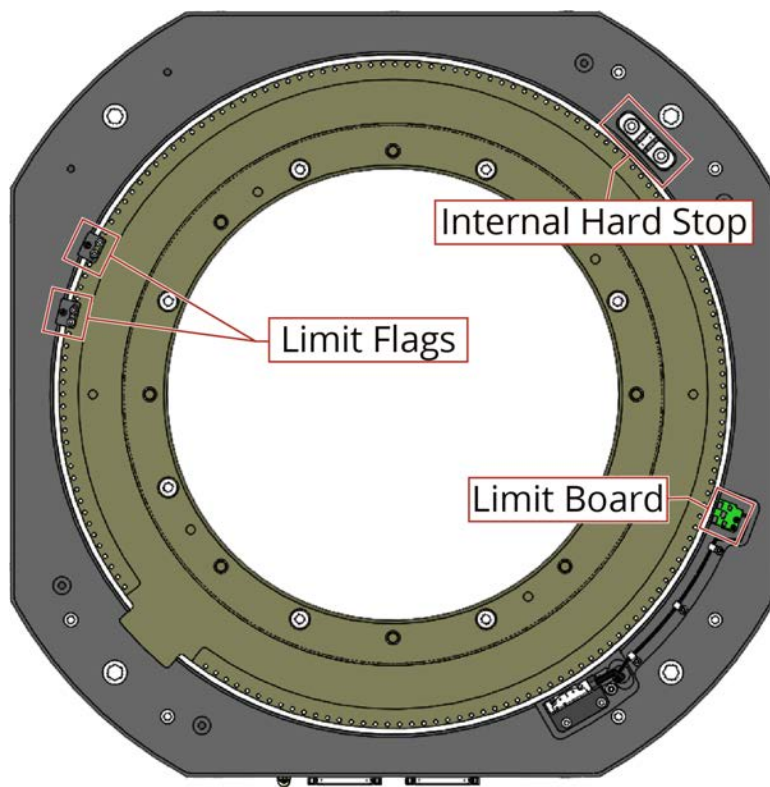


Figure 4-1: Limit Flag Adjustment

4.3.2. Mechanical Hard Stop Adjustments

The internal hard stop is used at the factory to set the electrical and mechanical limit travels. It is not a functional hard stop.

Aerotech recommends that you install external hard stops (not supplied) after you receive the stage. The hard stops will need to be designed around application specific parameters such as payload and acceleration.



IMPORTANT: The internal hard stop can be used as a reference point while setting up the external hard stops but should be removed prior to running the stage. Refer to [Figure 4-1](#).

4.4. Troubleshooting

Table 4-1: Troubleshooting

Symptom	Possible Cause and Solution
Stage will not move	<ul style="list-style-type: none">• In Limit condition. Check limits (refer to Chapter 3: Electrical Installation) and refer to the Controller documentation for polarity and compatibility requirements (Example: voltage requirements).• Controller trap or fault (refer to the Controller documentation).
Stage moves uncontrollably	<ul style="list-style-type: none">• Encoder (sine and cosine) signal connections (refer to Chapter 3: Electrical Installation and Controller documentation).• Motor Connections (refer to Chapter 3: Electrical Installation and the Controller documentation).
Stage oscillates or squeals	<ul style="list-style-type: none">• Gains misadjusted (refer to the Controller documentation).• Encoder signals (refer to the Controller documentation).

This page intentionally left blank.

Appendix A: Warranty and Field Service

Aerotech, Inc. warrants its products to be free from harmful defects caused by faulty materials or poor workmanship for a minimum period of one year from date of shipment from Aerotech. Aerotech's liability is limited to replacing, repairing or issuing credit, at its option, for any products that are returned by the original purchaser during the warranty period. Aerotech makes no warranty that its products are fit for the use or purpose to which they may be put by the buyer, whether or not such use or purpose has been disclosed to Aerotech in specifications or drawings previously or subsequently provided, or whether or not Aerotech's products are specifically designed and/or manufactured for buyer's use or purpose. Aerotech's liability on any claim for loss or damage arising out of the sale, resale, or use of any of its products shall in no event exceed the selling price of the unit.

THE EXPRESS WARRANTY SET FORTH HEREIN IS IN LIEU OF AND EXCLUDES ALL OTHER WARRANTIES, EXPRESSED OR IMPLIED, BY OPERATION OF LAW OR OTHERWISE. IN NO EVENT SHALL AEROTECH BE LIABLE FOR CONSEQUENTIAL OR SPECIAL DAMAGES.

Return Products Procedure

Claims for shipment damage (evident or concealed) must be filed with the carrier by the buyer. Aerotech must be notified within thirty (30) days of shipment of incorrect material. No product may be returned, whether in warranty or out of warranty, without first obtaining approval from Aerotech. No credit will be given nor repairs made for products returned without such approval. A "Return Materials Authorization (RMA)" number must accompany any returned product(s). The RMA number may be obtained by calling an Aerotech service center or by submitting the appropriate request available on our website (www.aerotech.com). Products must be returned, prepaid, to an Aerotech service center (no C.O.D. or Collect Freight accepted). The status of any product returned later than thirty (30) days after the issuance of a return authorization number will be subject to review.

Visit [Global Technical Support Portal](#) for the location of your nearest Aerotech Service center.

Returned Product Warranty Determination

After Aerotech's examination, warranty or out-of-warranty status will be determined. If upon Aerotech's examination a warranted defect exists, then the product(s) will be repaired at no charge and shipped, prepaid, back to the buyer. If the buyer desires an expedited method of return, the product(s) will be shipped collect. Warranty repairs do not extend the original warranty period.

Fixed Fee Repairs - Products having fixed-fee pricing will require a valid purchase order or credit card particulars before any service work can begin.

All Other Repairs - After Aerotech's evaluation, the buyer shall be notified of the repair cost. At such time the buyer must issue a valid purchase order to cover the cost of the repair and freight, or authorize the product(s) to be shipped back as is, at the buyer's expense. Failure to obtain a purchase order number or approval within thirty (30) days of notification will result in the product(s) being returned as is, at the buyer's expense.

Repair work is warranted for ninety (90) days from date of shipment. Replacement components are warranted for one year from date of shipment.

Rush Service

At times, the buyer may desire to expedite a repair. Regardless of warranty or out-of-warranty status, the buyer must issue a valid purchase order to cover the added rush service cost. Rush service is subject to Aerotech's approval.

On-site Warranty Repair

If an Aerotech product cannot be made functional by telephone assistance or by sending and having the customer install replacement parts, and cannot be returned to the Aerotech service center for repair, and if Aerotech determines the problem could be warranty-related, then the following policy applies:

Aerotech will provide an on-site Field Service Representative in a reasonable amount of time, provided that the customer issues a valid purchase order to Aerotech covering all transportation and subsistence costs. For warranty field repairs, the customer will not be charged for the cost of labor and material. If service is rendered at times other than normal work periods, then special rates apply.

If during the on-site repair it is determined the problem is not warranty related, then the terms and conditions stated in the following "On-Site Non-Warranty Repair" section apply.

On-site Non-Warranty Repair

If any Aerotech product cannot be made functional by telephone assistance or purchased replacement parts, and cannot be returned to the Aerotech service center for repair, then the following field service policy applies:

Aerotech will provide an on-site Field Service Representative in a reasonable amount of time, provided that the customer issues a valid purchase order to Aerotech covering all transportation and subsistence costs and the prevailing labor cost, including travel time, necessary to complete the repair.

Service Locations

<http://www.aerotech.com/contact-sales.aspx?mapState=showMap>

USA, CANADA, MEXICO

Aerotech, Inc.
Global Headquarters

CHINA

Aerotech China
Full-Service Subsidiary

GERMANY

Aerotech Germany
Full-Service Subsidiary

TAIWAN

Aerotech Taiwan
Full-Service Subsidiary

UNITED KINGDOM

Aerotech United Kingdom
Full-Service Subsidiary

Appendix B: Revision History

Revision	General Information
2.00	<ul style="list-style-type: none">• Separated -SP, -LP, and -XP into separate manuals• Updated safety information
1.10	Revision changes have been archived. If you need a copy of this revision, contact Aerotech Global Technical Support.
1.09	
1.08	
1.07	
1.06	
1.05	
1.04	
1.03	
1.02	
1.01	
1.00	

This page intentionally left blank.

Index

			I	
			Inspection Schedule	39
			isopropyl alcohol	40
	2			
2006/42/EC		6		
2011/65/EU		6		
	A		L	
Accuracy and Temperature Effects		16	label	12-13
Accuracy of the Ballscrew		16	Limit Switch Specifications	33
Altitude		16	lubricant	
Ambient Temperature		16	vacuum	18
Attaching the Payload		23		
	B		M	
Braycote® 602EF		18	Motor-Related Warnings	10
			mounting surface	
			cleaning	21,23
			securing stage	21
			multiaxis combinations	40
	C			
cleaning			P	
mounting surface	21,23		packing list	12
Cleaning	40		part number	12-13
cleaning solvent	40		Possible Cause	43
			Protection Rating	16
			protective ground connection	26
	D			
Dimensions		19		
Directive 2006/42/EC		6		
	E		S	
Electrical Installation		25	serial number	12-13
Electrical Warnings		9	shims	21
EN 60204-1 2010		6	Solution	43
EN ISO 12100 2010		6	solvents	40
Encoder Specifications		32	Specifications	17
EU 2015/863		6	Encoder	32
			Hall-Effect Sensors	32
			Limit Switch	33
			Thermistor Specifications	32
	G		stabilizing stage	13
grease		18	stage	
			distortion	21
			stabilizing	13
	H		Storage	12
Hall-Effect Sensors Specifications		32	Symptom	43
Handling		12		
Humidity		16		

T

Table of Contents	3
Temperature Effects	16
Thermistor Specifications	32
Troubleshooting	43

V

vacuum guidelines	18
vacuum lubricant (Braycote 602EF)	18
Vacuum Operation	18
Vibration	16

W

Warnings	7
Warranty and Field Service	45